

**Nokia Customer Care**

# ***Service Manual***

**RM-512; RM-513; RM-514; RM-515; RM-543  
(Nokia 2330/2320 /2323 Classic)**

## **Schematics**

***Part No: 9212952 (Issue 1)***

***COMPANY CONFIDENTIAL***



## **Nokia 2330/2320 /2323 Classic Service Manual Structure**

### **1 RM-512/513/514/515/543 schematics**

(This page left intentionally blank.)

# Nokia Customer Care

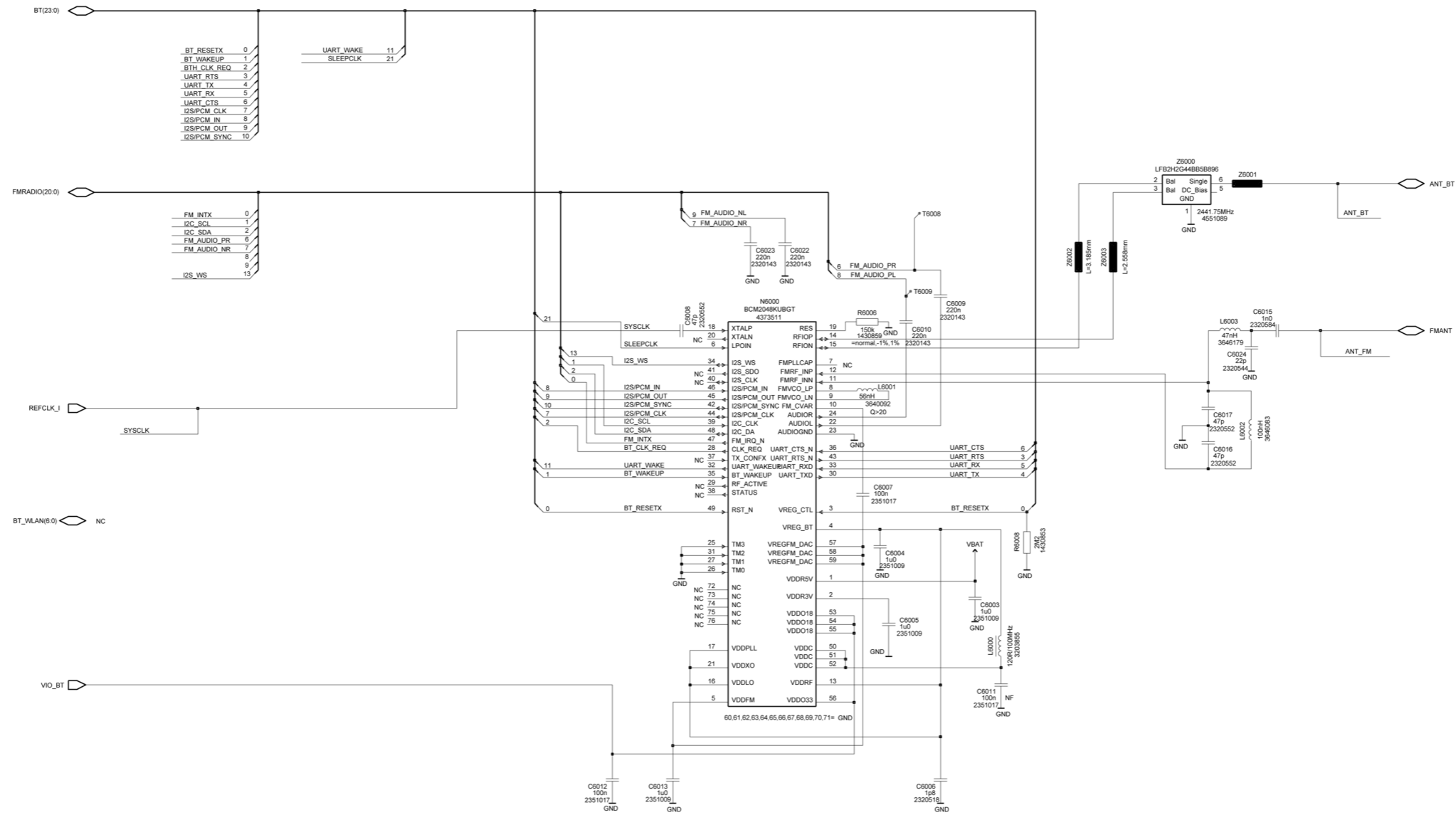
## **1 — RM-512/513/514/515/543 schematics**

(This page left intentionally blank.)

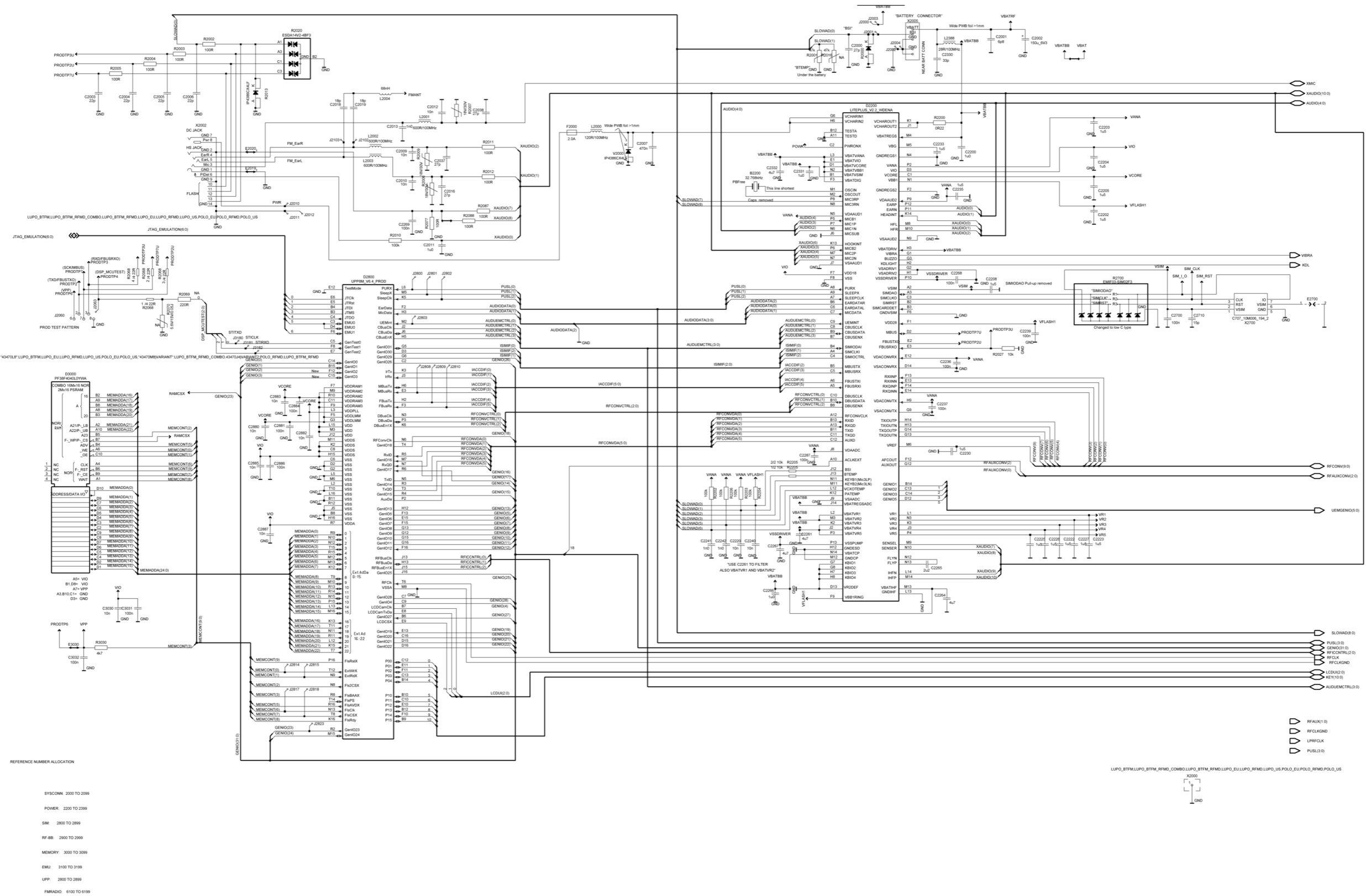
## Table of Contents

BTHFM RDS 2.0D 1+4+1 .....	1-4
BB .....	1-5
BB & RF .....	1-6
BTH .....	1-7
BB & EM .....	1-8
UIHW & AUDIO .....	1-9
HUGIN+ RF Reuse Block Schematic BOM1 (1) .....	1-10
HUGIN+ RF Reuse Block Schematic BOM1 (2) .....	1-11
HUGIN+ RF Reuse Block Schematic BOM1 (3) .....	1-12

■ BTHFM RDS 2.0D 1+4+1

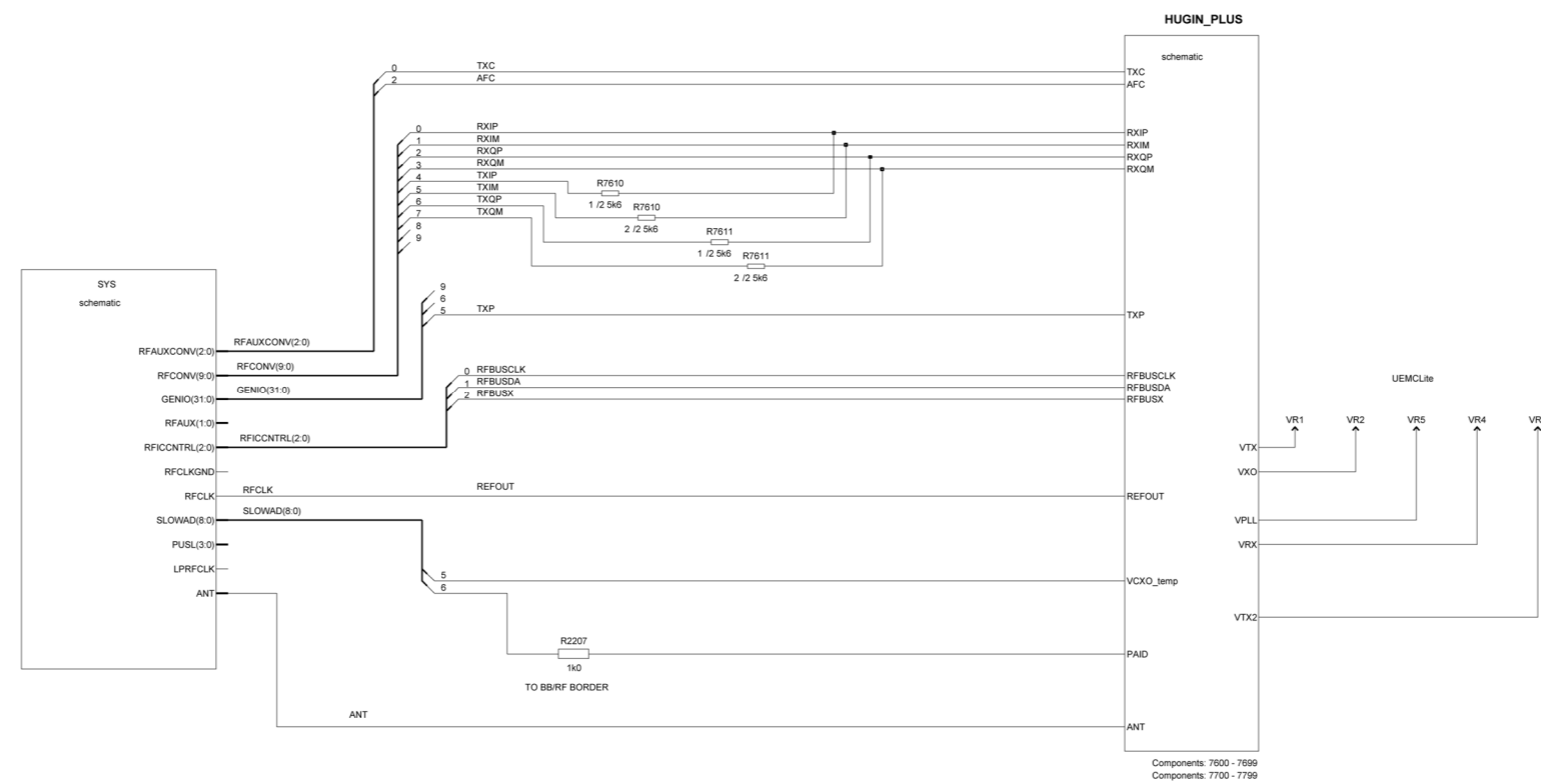


BB

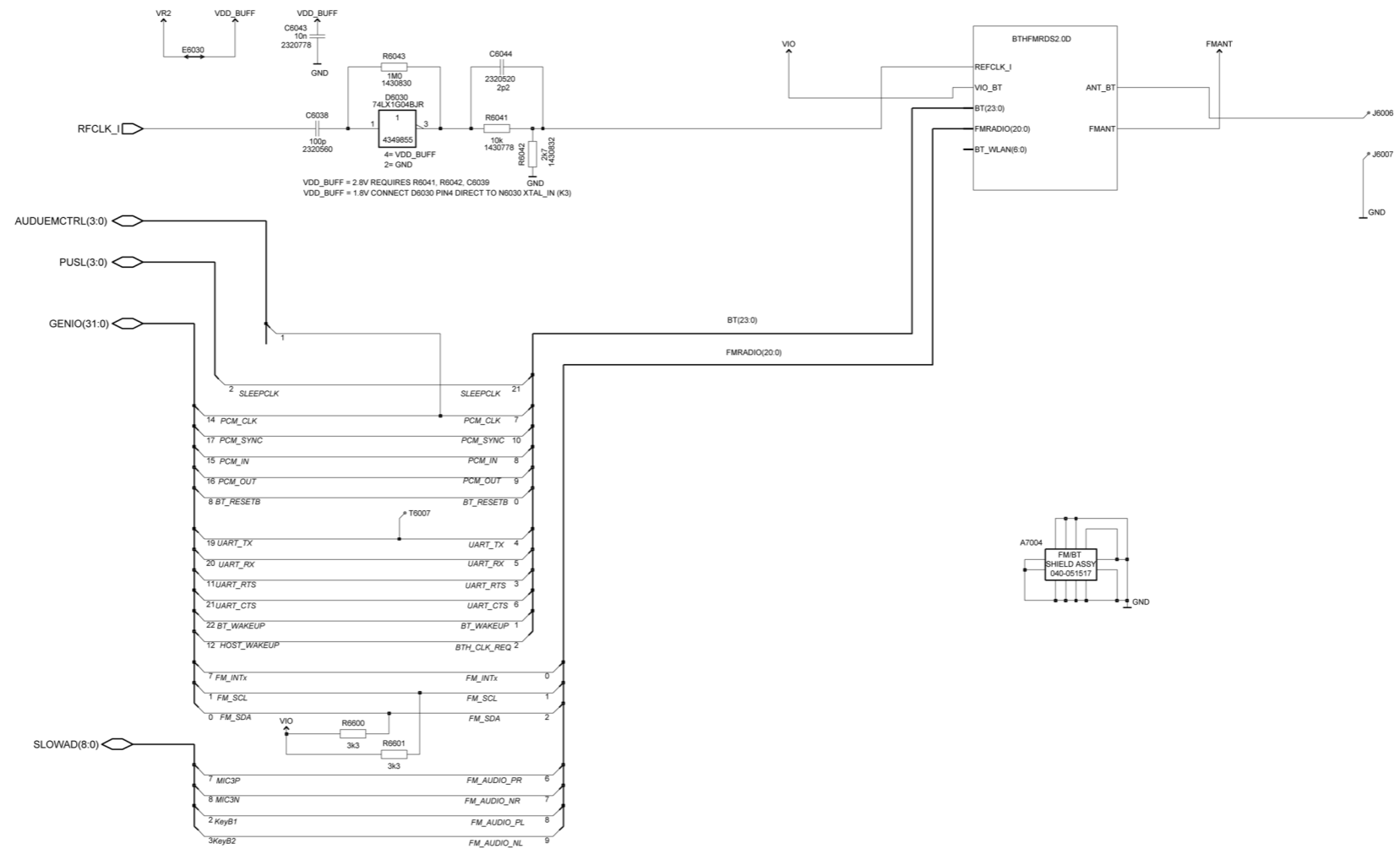




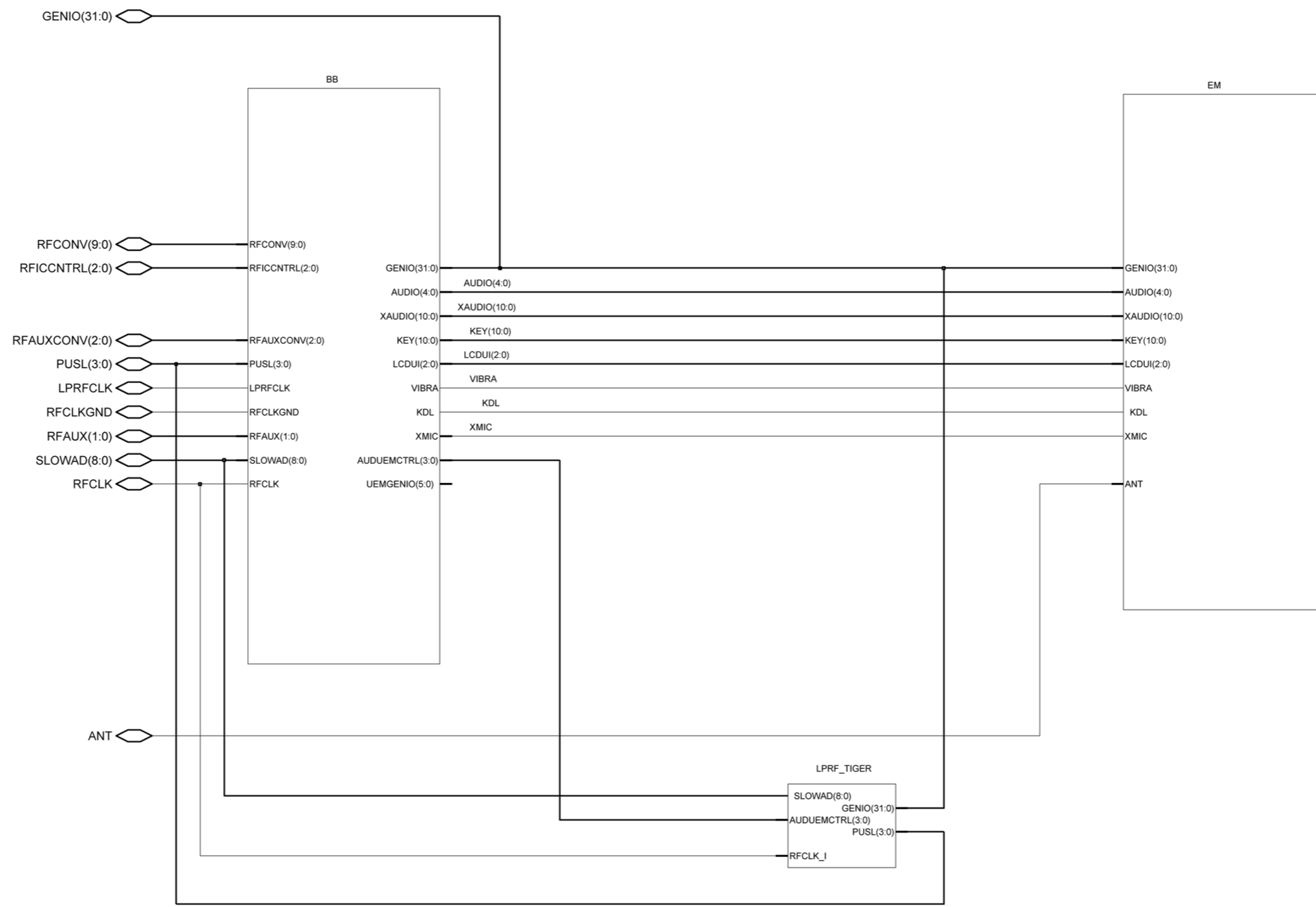
■ **BB & RF**



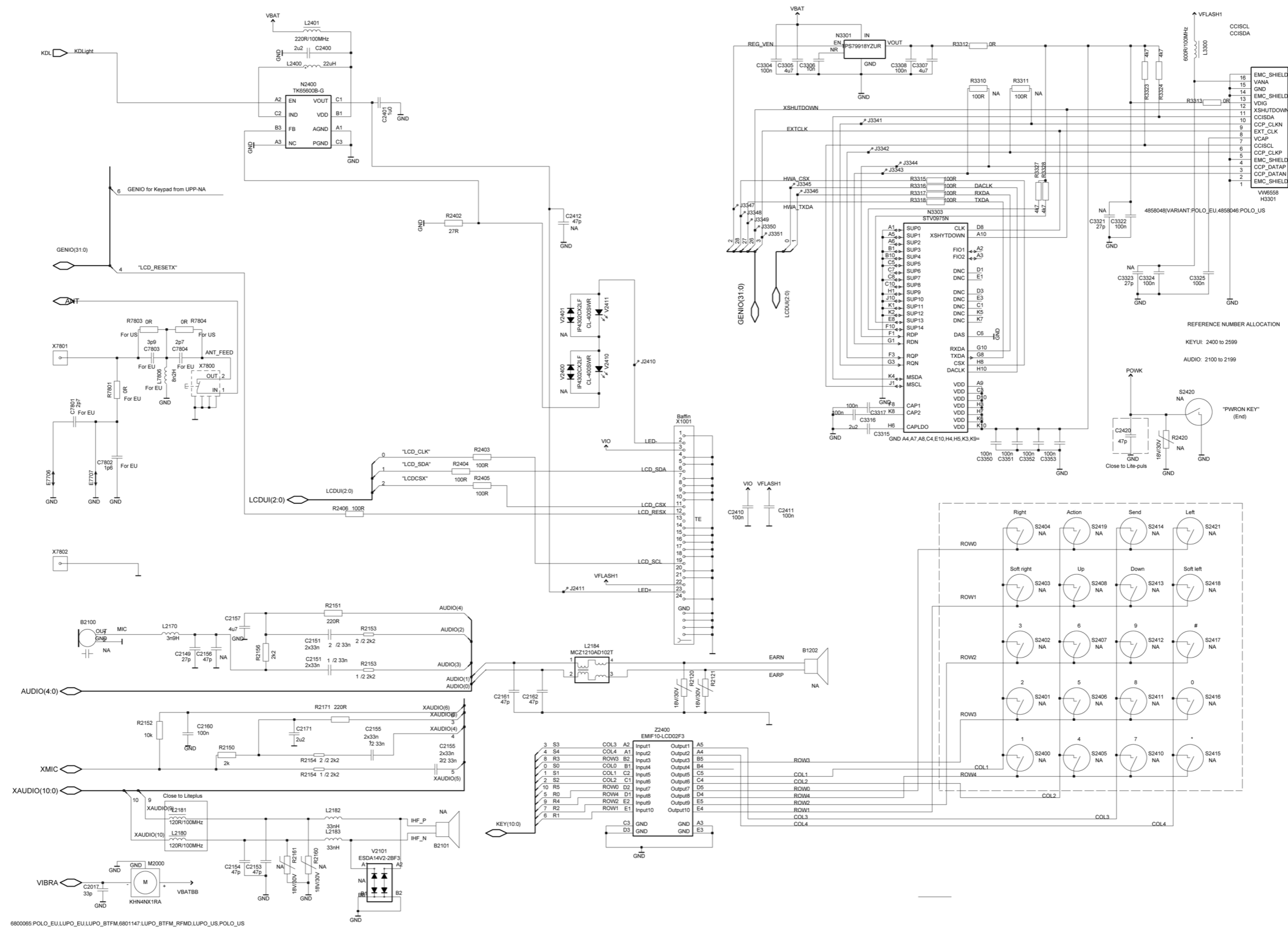
■ BTH



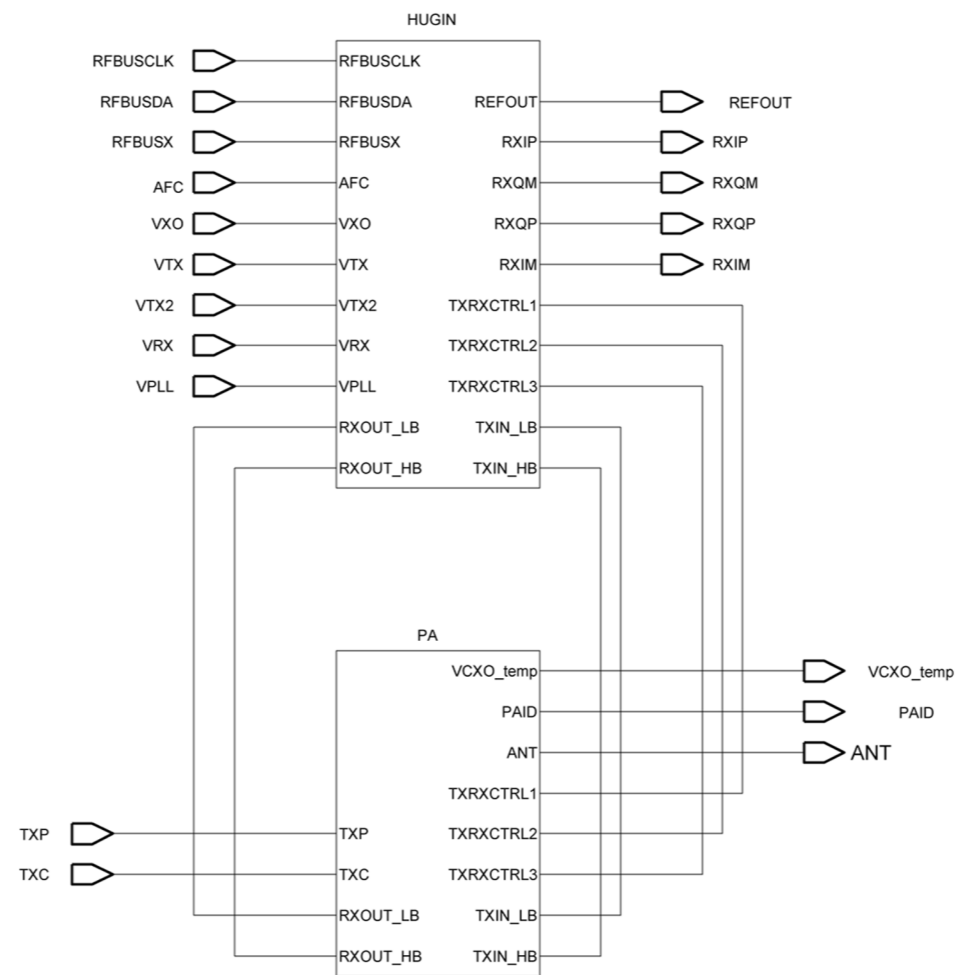
■ **BB & EM**



■ UIHW & AUDIO



■ HUGIN+ RF Reuse Block Schematic BOM1 (1)





■ HUGIN+ RF Reuse Block Schematic BOM1 (3)

